

# Mincers/Grinders Table or Free Standing Models

## W22/82 • W32/98 • W114 • W130



Market Leader in the Global Food Industry



W22  
W82



W32K  
W98K  
W114K



W130



W32L  
W98L  
W114L

**Robust and durable.**



Stainless steel plates and high-quality cutting knives by Lumbeck & Wolter Germany.



# Outstanding features



Large filling tray with  
C € hand protection.

6 powerful models

## Free Standing Models

- **W32L/W98L** 2,2 kW (3 HP)
- **W114L** 3,7 kW (5 HP)
- **W130** 5,5 kW (7,5 HP)

## Table Models

- **W22/W82** 1,1 kW (1,5 HP)
- **W32K/W98K** 2,2 kW (3 HP)
- **W114K** 3,7 kW (5 HP)

Completely made of  
stainless steel.



# Advantages at a glance



Complete mincing head made of high-quality stainless steel in microfusion quality.



W130 knob

**Removable mincing head:  
no transmission of motor  
heat - best cutting results!**



# Cutting Systems



Available cutting systems for the best results depending on your product.

## W82

- Unger 2 (H-82), Single cut
- Unger 3 (H-82), Double cut
- Unger 5 (H-82), Quadruple cut

## W98L/K

- Unger 2 (B-98), Single cut
- Unger 3 (B-98), Double cut
- Unger 5 (B-98), Quadruple cut

## W114L/K

- Unger 2 (D-114), Single cut
- Unger 3 (D-114), Double cut
- Unger 5 (D-114), Quadruple cut

## W130

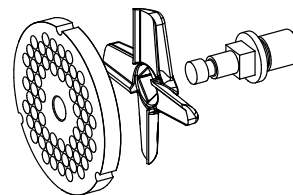
- Unger 2 (E-130), Single cut
- Unger 3 (E-130), Double cut
- Unger 5 (E-130), Quadruple cut

## W22

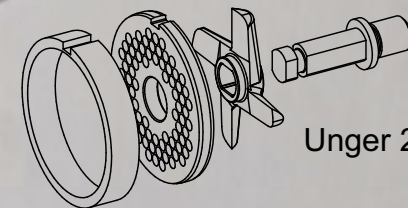
- Enterprise 22, Single cut

## W32L/K

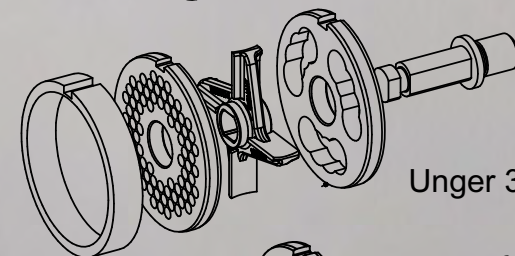
- Enterprise 32, Single cut



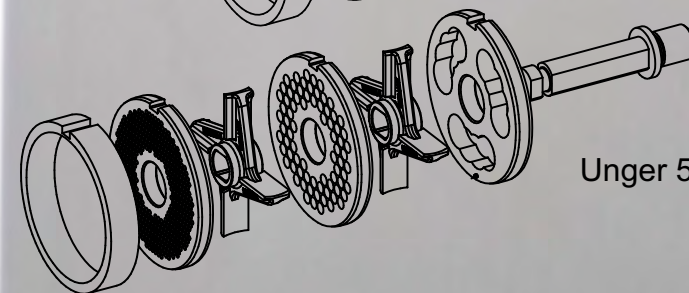
Enterprise



Unger 2



Unger 3



Unger 5

# High quality knives & plates



Talsa meat mincers are equipped as standard with knives made of stainless steel or special carbon steel with stainless coating of the highest strength and durability from German brand Lumbeck&Wolter.

The plates are made of 100% stainless steel AISI420. This material is characterised by significantly lower wear and tear, which prolongs the service life of the plates.

Standard scope of supply per cutting system	U5	U3	U2	Enterprise
Precutter plate 3 large straight holes S/S AISI420	1	1	-	-
Double cutting knife L&W "Robot S4" S/S	2	1	-	-
Single cutting knife L&W 4 blades	1	1	1	-
Mincerplates DIN 9805 S/S AISI420, hole ø	3, 5 & 7.8mm	5 & 7.8mm	5 & 7.8mm	-
Compensation ring U5->U3	1	-	-	-
Compensation ring U5->U2	1	-	-	-
Compensation ring U3->U2	1	1	-	-
Single cutting knife L&W Enterprise "Type N"	-	-	-	1
Mincerplates Enterprise S/S AISI420, hole ø	-	-	-	5 & 7.8mm

Available mincerplates DIN9805 S/S AISI420, hole ø	2, 3, 4, 5, 6, 7.8, 10, 12 mm
Available mincerplates Enterprise S/S AISI420, hole ø	2, 3, 4, 5, 6, 7.8, 10, 12 mm

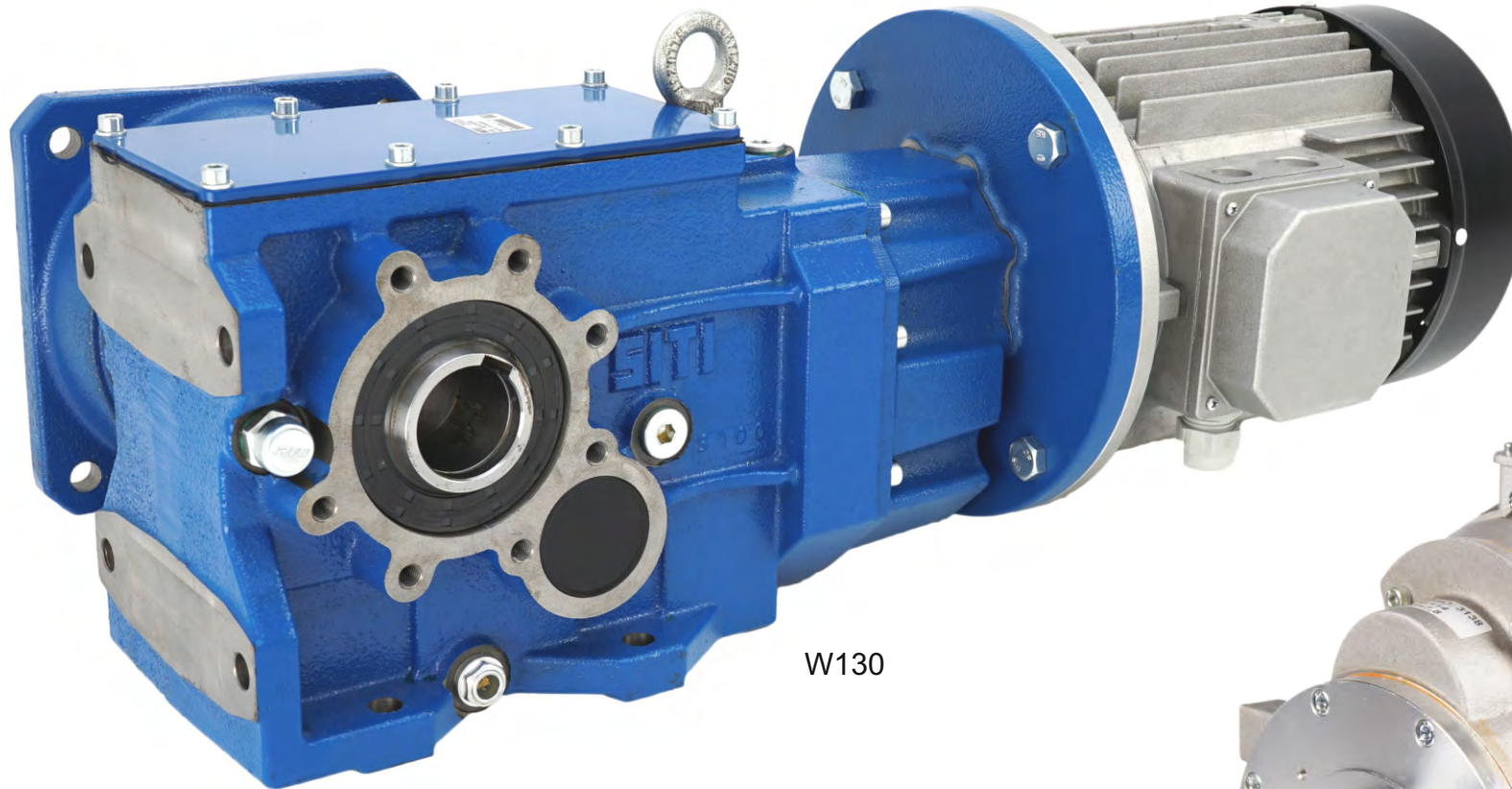
More knives and plates in different sizes and materials are available directly from Lumbeck&Wolter.



# Extraordinarily robust motor-gear unit



High performance and energy efficiency,  
quieter and less heat generation.



W130

**Rugged gearbox  
made of steel, with oil bath.**



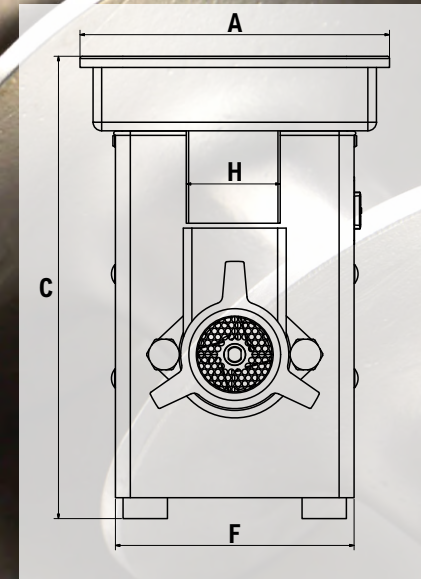
W114

**With overheating protection.**

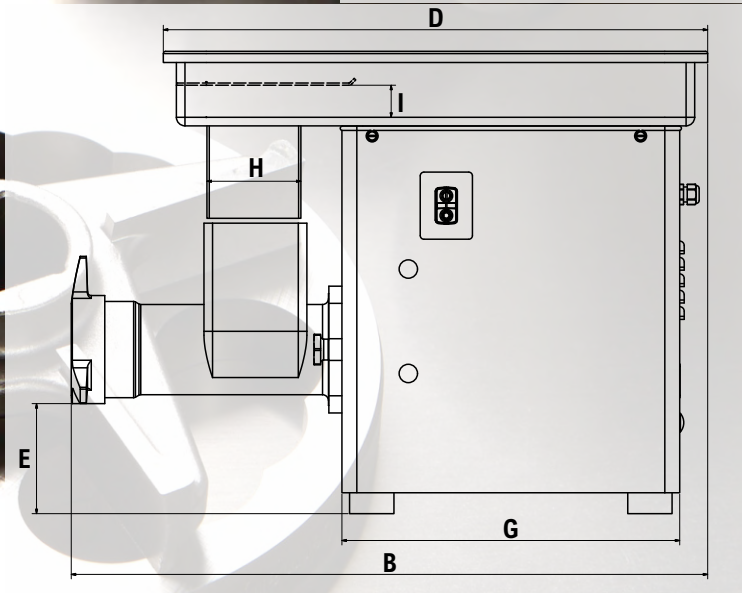
# Technical Specifications



Technical specifications	W82/22	W98/32K	W98/32L	W114K	W114L	W130	
<b>Model</b>	Table	Table	Free Standing	Table	Free Standing	Free Standing	
<b>Diameter of mincerplate</b>	W82: Unger H 82 mm W22: 83 mm	W98: Unger B 98 mm W32: 100 mm		Unger D 114 mm		Unger E 130 mm	
<b>Tray capacity</b>	10 liters	23 liters	52 liters	23 liters	52 liters	78 liters	
<b>Hourly output</b>	± 300-350 kg/h ± 660-780 lbs/h	± 700-800 kg/h ± 1550-1770 lbs/h		± 900-1200 kg/h ± 2000-2650 lbs/h		± 1300-1700 kg/h ± 2900-3800 lbs/h	
<b>Power three-phase motor</b>	1,5 HP / 1,1 kW		3 HP / 2,2 kW		5 HP / 3,7 kW		7,5 HP / 5,5 kW
<b>Consumption three-phase motor</b>	<b>400/380 V</b> <b>230/220 V</b>	2,5 A 4,3 A	5,0 A 8,7 A		8,3 A 14,3 A		13,2 A 22,8 A
<b>Power single-phase motor</b>	1,5 HP / 1,1 kW		2,6 HP / 2 kW		■	■	■
<b>Consumption single-phase motor</b>	<b>230/220 V</b>	9,6/10,1 A		10,8/12,2 A		■	■
<b>Net weight three-phase machine</b>	± 47 kg ± 104 lbs	± 77 kg ± 170 lbs	± 107 kg ± 236 lbs	± 96 kg ± 212 lbs	± 127 kg ± 280 lbs	± 256 kg ± 564 lbs	
<b>Noise level at 1 m</b>	60 dB(A)	62 dB(A)	62 dB(A)	64 dB(A)	64 dB(A)	64 dB(A)	
<b>Operating temperature</b>	+5° to +40° C (40° to 100° F)						
<b>Operating relative humidity</b>	20 to 90%						



Dimensions						
cm (inch)	W82/22	W98/32K	W98/32L	W114K	W114L	W130
<b>A</b>	31 (12.2")	42 (16.6")	56 (22.1")	42 (16.6")	56 (22.1")	64 (25.2")
<b>B (U3)</b>	60 (23.7")	78 (30.8")	87 (34.3")	82 (32.3")	82 (32.3")	105 (41.4")
<b>B (U5)</b>	62 (24.5")	81 (31.9")	90 (35.5")	85 (33.5")	95 (37.5")	108 (42.6")
<b>C</b>	46 (18.2")	61 (24.1")	102 (40.2")	61 (24.1")	102 (40.2")	125 (49.3")
<b>D</b>	52 (20.5")	73 (28.8")	83 (32.7")	73 (28.8")	83 (32.7")	94 (37.0")
<b>E</b>	17 (7.0")	15 (5.9")	52 (20.5")	15 (5.9")	52 (20.5")	69 (27.2")
<b>F</b>	26 (10.3")	32 (12.6")	44 (17.4")	32 (12.6")	44 (17.4")	52 (20.5")
<b>G</b>	33 (13.0")	45 (17.8")	53 (20.9")	45 (17.8")	53 (20.9")	62 (24.5")
<b>H</b>	9 (3.5")	13 (5.1")	13 (5.1")	13 (5.1")	13 (5.1")	15 (5.9")
<b>I</b>	4 (1.6")	5 (2")	5 (2")	5 (2")	5 (2")	6 (2.4")
<b>Packaging (WxDxH)</b>	70x35x50 (28x14x20")	96x69x91 (38x28x36")	108x74x122 (43x30x48")	96x69x91 (38x28x36")	108x74x122 (43x30x48")	118x83x138 (47x33x55")
<b>Volume</b>	0.1 m <sup>3</sup>	0.6 m <sup>3</sup>	1 m <sup>3</sup>	0.6 m <sup>3</sup>	1 m <sup>3</sup>	1.4 m <sup>3</sup>



# TALSA, Tradition and Innovation:

85 years producing mincers / grinders.

120 years of industrial experience in machinery.

Sales and distributors in more than 60 countries.



Since the Belloch family started the company in 1900 as a mechanical workshop to serve the incipient electrical industry, Talsa has evolved to the current 3 industrial buildings and more than 6000 sq.m with the most modern cutting-edge CNC production means.

At Talsa we pay great attention, enthusiasm and constant improvement to every detail of the machines in this catalogue and their usability for end customers.

We have a collaboration with UPV Polytechnic University of Valencia, R+D+I Research and Development of the European Union, INPYMES GVA and Export Awards of the Chamber of Commerce.

Thank you for your trust.

Our product range:

- Fillers/Stuffers
- Mixers
- Mincers/Grinders
- Cutters/Choppers
- Cookers/Kettles



Talsabell s.a.

Valencia - Spain  
www.talsanet.com



Your authorized TALSA dealer:

Dimensions and illustrations are not binding. We reserve the right to make changes.